

# Failure load and effective width of compressed steel plates with initial stresses and initial deflections

Autor(en): **Nylander, Henrik**

Objektyp: **Article**

Zeitschrift: **IABSE congress report = Rapport du congrès AIPC = IVBH  
Kongressbericht**

Band (Jahr): **9 (1972)**

PDF erstellt am: **21.07.2024**

Persistenter Link: <https://doi.org/10.5169/seals-9647>

## **Nutzungsbedingungen**

Die ETH-Bibliothek ist Anbieterin der digitalisierten Zeitschriften. Sie besitzt keine Urheberrechte an den Inhalten der Zeitschriften. Die Rechte liegen in der Regel bei den Herausgebern.

Die auf der Plattform e-periodica veröffentlichten Dokumente stehen für nicht-kommerzielle Zwecke in Lehre und Forschung sowie für die private Nutzung frei zur Verfügung. Einzelne Dateien oder Ausdrucke aus diesem Angebot können zusammen mit diesen Nutzungsbedingungen und den korrekten Herkunftsbezeichnungen weitergegeben werden.

Das Veröffentlichen von Bildern in Print- und Online-Publikationen ist nur mit vorheriger Genehmigung der Rechteinhaber erlaubt. Die systematische Speicherung von Teilen des elektronischen Angebots auf anderen Servern bedarf ebenfalls des schriftlichen Einverständnisses der Rechteinhaber.

## **Haftungsausschluss**

Alle Angaben erfolgen ohne Gewähr für Vollständigkeit oder Richtigkeit. Es wird keine Haftung übernommen für Schäden durch die Verwendung von Informationen aus diesem Online-Angebot oder durch das Fehlen von Informationen. Dies gilt auch für Inhalte Dritter, die über dieses Angebot zugänglich sind.

1b

**Failure Load and Effective Width of Compressed Steel Plates with Initial Stresses and Initial Deflections**

Charges ultimes et largeur réelle de tôles d'acier soumises à la compression avec contraintes internes et déflexions initiales

Bruchlast und tatsächliche Breite gedrückter Stahlplatten mit Eigen-  
spannungen und Anfangsdurchbiegung

HENRIK NYLANDER  
Sweden

Column buckling is influenced by the local plate buckling. The local plate buckling is dependent on initial stresses due to welding and initial deflections of the plates.

The author has studied the plate buckling in the overcritical range using a model of calculation, which enables to consider the initial stresses and the initial deflection in a relatively simple manner.

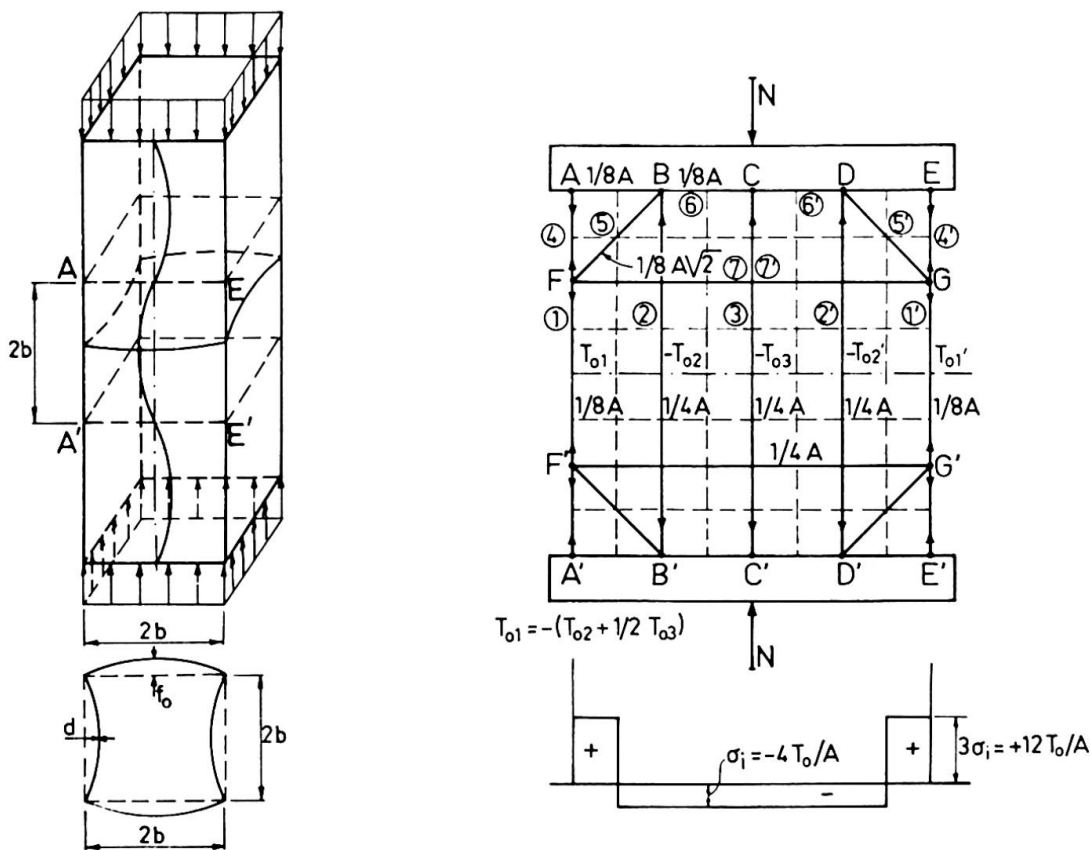


Fig. 1 a and 1 b Model of Calculation

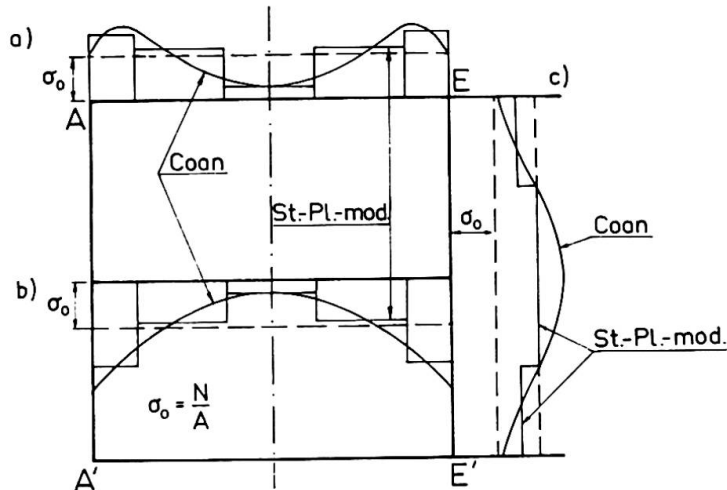


Fig. 1 c  
Distribution of compressive stresses in the direction of the load  $N$  at the edge A-E (a) at the line of symmetry (b) and at the edge E-E' (c). Comparison with solution by Coan  $\sigma_o/\sigma_{el} = 1,74$ .

The investigation is part of a research project regarding the carrying capacity of welded hollow columns, built up by thin plates. The project is carried out at the Department of Building Statics and Structural Engineering at the Royal Institute of Technology, Stockholm and at the Swedish Institute of Steel Construction, Stockholm.

The model of calculation consists of a plate acting only in plate bending and of the strips 1-7 and 1'-7', taking the membrane stresses only. (Fig. 1) The strips are connected to the plate at the points A-G and A'-G'. The areas of the strips are shown in Fig. 1, where  $A = 2b \cdot d$  is equal to the area of the cross section of the plate. The normal forces in the strips are caused by 1) the initial stresses, 2) the normal force  $N$  in the plane of the plate, which gives forces in the different strips in proportion to their areas and 3) of forces which are caused by the changes of length of the strips as the bending deformation of the strips follows the bending deformation of the plate.

The mathematical treatment is omitted in this connection. It is the author's intention to publish the theory and the rather comprehensive results in a near future.

A treatment of the problem starting from the fundamental Eq. by von Kármán and Marguerre adjusted to take into account the influence of the initial stresses is in the author's opinion very difficult. In fig. 1 c a comparison is made with a solution by Coan [1] for a case where  $\sigma_i = 0$ . The membrane stresses in the direction of the compressive load  $N$  at the supports at the middle of the plate and along a free edge are considered. It is seen from the Figure that it is a good agreement between Coan's results and the results from the calculations for the model in Fig. 1 b both regarding the maximum values and the distributions of stresses.

It is hardly possible to precise adequate criteria of failure for the highly statically indeterminate system in question where the elastoplastic state of stresses must be considered. The author has instead of trying to give a complex theory started from a relatively detailed study of the stresses in different parts of the elastic plate caused by bending and torsional moments

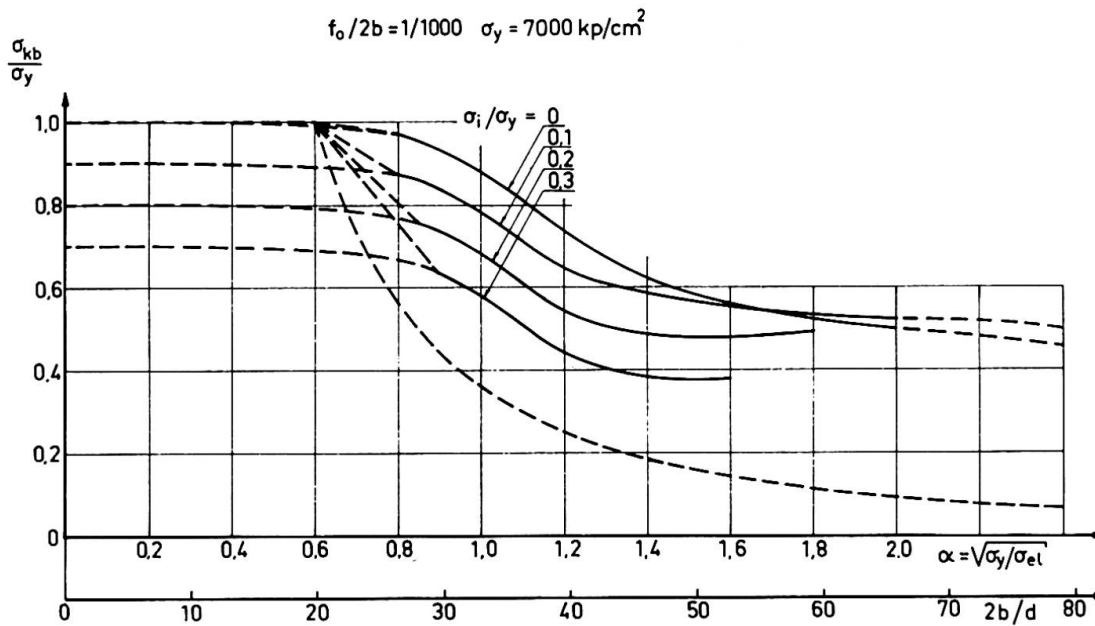
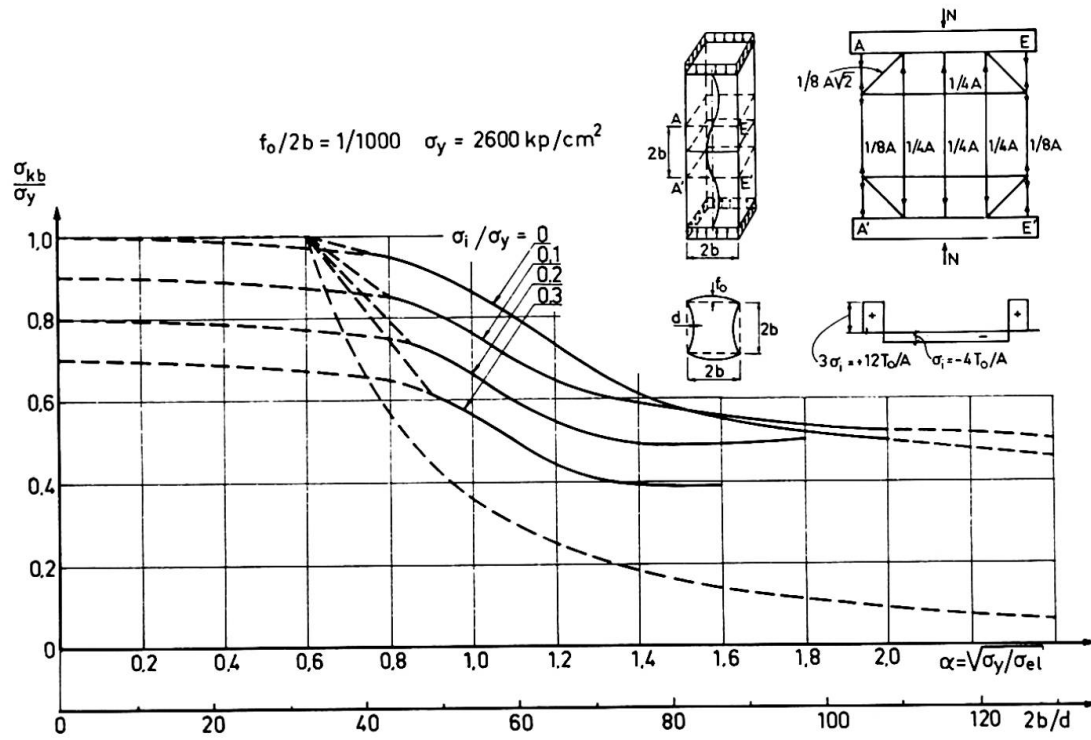


Fig. 2 a and 2 b. Values of  $\sigma_{kb} = N/2bd$  at buckling failure divided with  $\sigma_y$  for different  $\sigma_i/\sigma_y$  as function of  $\alpha = \sqrt{\sigma_y/\sigma_{el}}$

a)  $\sigma_y = 2600 \text{ kp/cm}^2$

b)  $\sigma_y = 7000 \text{ kp/cm}^2$

and the normal forces. Then that load has been determined at which total yielding (yield stress over the whole cross section) will occur at the point considered, if the bending and torsional moments as well as the normal forces have the values calculated from the theory of elasticity. At the judgement of the failure load the following points have been considered:

1. The midpoint of strip (A-A', Fig. 1 a). Yielding due to normal force (compression) in the direction of the load N.
2. The midpoint of the strip 2 (B-B', Fig. 1 a). Yielding due to bending moment and normal force in the direction of the compressive load N.
3. The centre of the plate (midpoint of strip 3). Yielding due to bending moment and normal force in the direction of the compressive load N.
4. The corner points. Yielding due to torsional moment and normal force in the direction of the load N.

The results are given in Fig. 2 for two values of the yield stress: 2 600 kp/cm<sup>2</sup> and 7 000 kp/cm<sup>2</sup> and for the ratio initial deflection over plate width  $f_0/2b = 1/1\,000$ . For most of the calculated points of the diagrams the alternatives 2) and 3) above were most dangerous and the failure loads were for these points calculated as the average values of the failure loads for the alternatives 2) and 3).

For  $\sigma_i/\sigma_y = 0$  and  $\alpha \geq 1,2 \leq 2,0$  and for  $\sigma_i/\sigma_y = 0,1$  and  $\alpha \geq 1,8$  alternative 4) was most dangerous. For  $\sigma_i/\sigma_y = 0$  and  $\alpha > 2,0$  alternative 1) was most dangerous.

The effective width  $b_e$  (see Fig. 3) is of importance for the column buckling. Calculated values at failure load are given in Fig. 3 for different  $\sigma_i/\sigma_y$  ( $f_0/2b = 1/1\,000$ ;  $\sigma_y = 2\,600$  kp/cm<sup>2</sup>). It is seen from the Figure that the initial stresses highly affect the values of  $b_e/b$ .

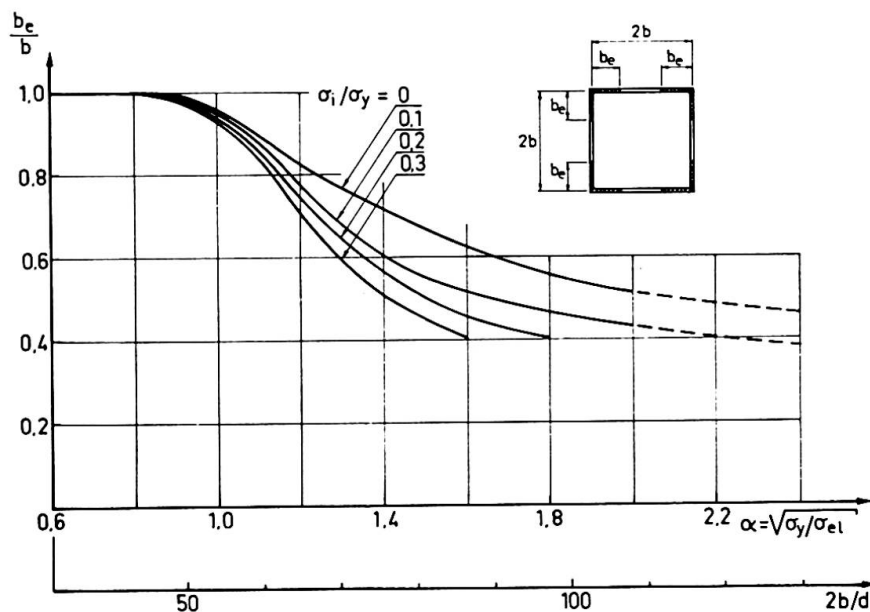


Fig. 3 Ratio  $b_e/b$  for the failure load as a function of  $\alpha$  ( $\sigma_y = 2\,600$  kp/cm<sup>2</sup>)

It is seen from Fig. 2 that the initial stresses have a very important negative influence on the critical buckling stresses especially for  $0,8 < a < 1,6$ . The initial stresses have a negative effect on the effective width  $b_e$  (see Fig. 3). Both these effects reduce the column buckling load. The applied distribution of the initial stresses is unfavourable. Calculations of a case where  $\sigma_i = 0$  in the strip 3 have given higher failure loads. It is therefore a need of studying the influence of the fabrication methods on the distribution of initial stresses. Finally the author among investigations will remind of those by Nishino, Ueda, Tall [2]; Dwight, Moxham [3] and Dwight, Ractcliffe [4] of buckling of welded columns of hollow sections, where it was pointed out that the initial stresses have a large unfavourable effect on the failure load.

#### REFERENCES

- [1] Coan, J.M.: Large Deflection Theory for Plates With Small Initial Curvature Loaded in Edge Compression. Journ. of Appl. Mech., June 1951.
- [2] Nishino, F.; Ueda, Y. and Tall, L.: Experimental Investigations of the Buckling of Plates with Residual Stresses. Am. Soc. Testing Mats., p. 12, 1967.
- [3] Dwight, J.B. and Moxham, K.E.: Welded Steel Plates in Compression. The Struct. Eng., No. 2, 1969.
- [4] Dwight, J.B. and Ractcliffe, A.I.: The Strength of Thin Plates in Compression. Thin Walled Structures, Crosby Lockwood, 1969.

#### SUMMARY

The behaviour of compressed steel plates in the overcritical range is studied. A simplified model of calculation, Fig. 1, which enables to consider initial stresses and deflections is used. The results are intended to serve as a basis for design rules. It is shown that the initial stresses reduce the failure load especially for the dimensions corresponding to  $0,8 < a < 1,6$ , Fig. 2. Furthermore the effective width is reduced by the initial stresses, Fig. 3. Here omitted results for other distributions of the initial stresses are more favourable.

#### RESUME

L'auteur étudie ici le comportement de plaques en acier comprimées, dans le domaine post-critique. Il emploie un modèle mathématique simplifié, fig. 1, qui permet de tenir compte des tensions et des déviations initiales. Les résultats sont destinés à servir de base pour déterminer des règles de dimensionnement. On remarque que les tensions initiales réduisent la charge ultime, spécialement pour les dimensions correspondant à  $0,8 < a < 1,6$ , fig. 2. De plus la largeur effective est réduite par les tensions initiales, fig. 3. Les résultats pour d'autres distributions des tensions initiales, qui ne sont pas mentionnées ici, sont plus favorables.

## ZUSAMMENFASSUNG

Es wird das Verhalten gedrückter Stahlplatten im überkritischen Bereich untersucht, dabei wird ein vereinfachtes Berechnungsmodell (Fig. 1) verwendet, das die Berücksichtigung der Eigenspannungen und Anfangsdurchbiegungen erlaubt. Die Ergebnisse sind als Basis für die Bemessung gedacht. Es wird gezeigt, dass die Eigenspannungen die Bruchlast reduzieren, insbesondere für Dimensionen entsprechend  $0,8 < a < 1,6$  (Fig. 2). Zudem wird die tatsächliche Breite infolge der Eigenspannungen vermindert (Fig. 3). Die hier ausgelassenen Ergebnisse für andere Eigenspannungsverteilungen sind günstiger als die gezeigten.