

**Zeitschrift:** IABSE structures = Constructions AIPC = IVBH Bauwerke  
**Band:** 5 (1981)  
**Heft:** C-18: Structures in the Middle East

## **Werbung**

### **Nutzungsbedingungen**

Die ETH-Bibliothek ist die Anbieterin der digitalisierten Zeitschriften. Sie besitzt keine Urheberrechte an den Zeitschriften und ist nicht verantwortlich für deren Inhalte. Die Rechte liegen in der Regel bei den Herausgebern beziehungsweise den externen Rechteinhabern. [Siehe Rechtliche Hinweise.](#)

### **Conditions d'utilisation**

L'ETH Library est le fournisseur des revues numérisées. Elle ne détient aucun droit d'auteur sur les revues et n'est pas responsable de leur contenu. En règle générale, les droits sont détenus par les éditeurs ou les détenteurs de droits externes. [Voir Informations légales.](#)

### **Terms of use**

The ETH Library is the provider of the digitised journals. It does not own any copyrights to the journals and is not responsible for their content. The rights usually lie with the publishers or the external rights holders. [See Legal notice.](#)

**Download PDF:** 17.03.2025

**ETH-Bibliothek Zürich, E-Periodica, <https://www.e-periodica.ch>**

# A QUANTUM LEAP FORWARD...

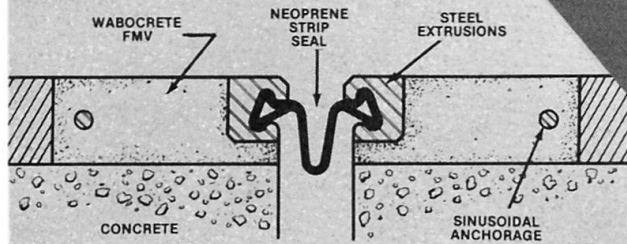
...IN THE STATE OF THE ART  
for BRIDGE and PARKING STRUCTURE REHABILITATION

## Wabocrete<sup>®</sup> FMV ELASTOMERIC CONCRETE SYSTEM

*A fully field-proven precision blend of high performance synthetic rubber and aggregates, field vulcanized comprising heat fusion bonding of expansion joints to the deck and wearing course*

Recommended for

- PARKING DECKS / RAMPS
- BRIDGE JOINT REHAB



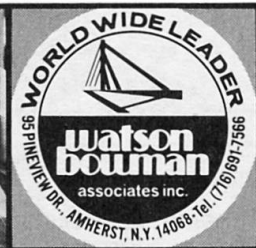
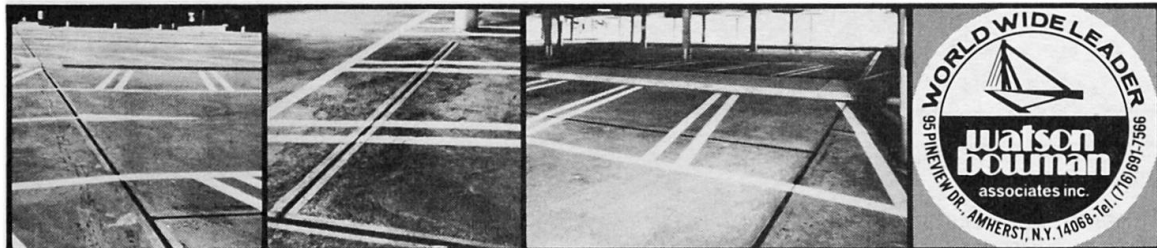
WABOCRETE FMV is ideal for lane-at-a-time rehabilitation work. Its rapid installation and heat fusion vulcanizing require about 2 hours. It serves as an energy absorbing, spall & crackfree, impervious expansion joint end dam in one piece from curb to curb.

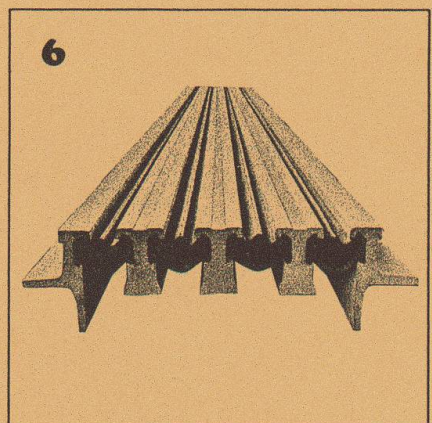
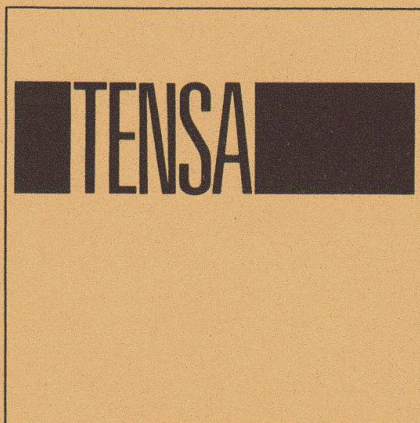
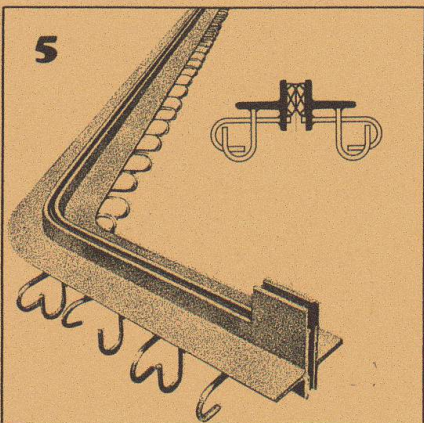
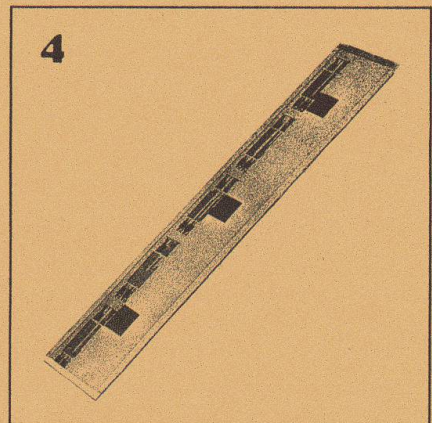
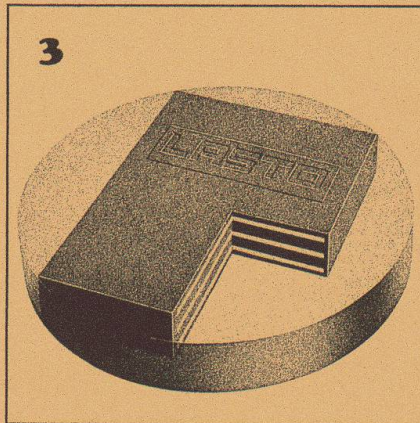
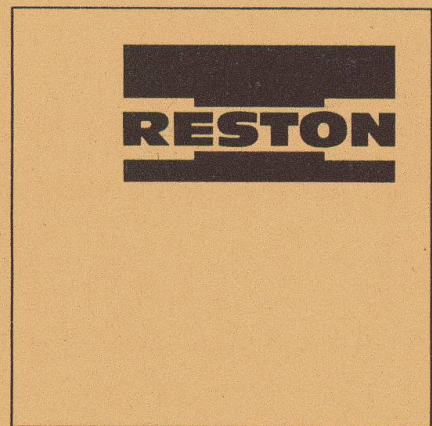
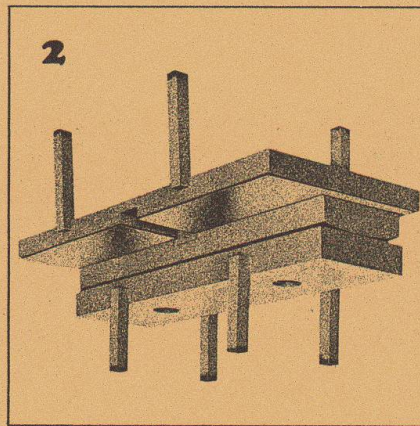
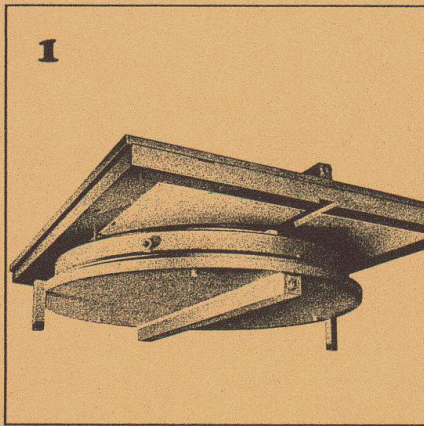
The relatively short service life of epoxy mortar and bituminous concrete dams being 3-5 years, WABOCRETE FMV provides a much improved service life and life cycle cost effectiveness with a successful history of installation of up to 9 years on

the heaviest trafficked bridges in Europe.

WABOCRETE FMV has the ability to flow and fill in any spalls, cracks or inconsistencies within the block-out area. The transition dam is match cast to the deck. Fusion bonding of elastomeric concrete to deck and overlay material eliminates expansion anchors to minimize any possibility of loosening under repetitive loadings of heavy traffic.

Details and installation procedures are incorporated in Catalog No. WB-117. Write or call today.





**1**  
**RESTON Pot Sliding Bearings** are highly suitable for installation in bridge structures. They feature a low-profile design, low weight and high loading capacity.

**2**  
**RESTON Linear Tilting and Sliding Bearings** are a combination of normal linear tilting bearings and PTFE sliding bearings and are suitable for installation in bridge structures.

**3**  
**LASTO-BLOCK Bearings** are suitable for building, civil engineering and bridge construction applications. Their simple form allows easy installation.

**4**  
**LASTO-STRIP Bearings for Buildings** were especially developed for building constructions. They are particularly suitable for movement compensation between concrete slabs and load-supporting walls and prevent structural cracking.

**5**  
**TENSA-ACME Roadway Construction Joints** are highly suitable for installation in traffic levels (parking lots, bridges, airport areas etc.). Dilatation up to 60 mm.

**6**  
**TENSA-LASTIC Roadway Construction Joints** meet all the requirements that can be made in bridge engineering of a modern joint design. They are rugged and watertight. Dilatation range 60 mm and bigger.

PROCEQ SA  
 Riesbachstrasse 57  
 CH-8034 Zurich

proceq

Phone: 01/47 7800  
 Telex 53357 proce ch

# First-order evolution in geodesy and industry

Modern technology has come up with a new precision level, the **Wild N3**, designed to bring the highest accuracy to the most varied tasks: first-order levelling for geodetic control, deformation measurements, determining subsidence and monitoring crustal movements. It's perfect too for industry and laboratories: for checking, aligning and positioning machinery, and for measuring inclinations.

The powerful **panfocal telescope** has over 40× magnification at normal sighting distances, yet it will focus to a scale **only 30 cm (12 inches)** from the objective. The field of view widens at short distances. And it's an alignment telescope with remarkable stability of the line of sight.

With the calibrated tilting screw, small angles and changes in inclination can be measured with micro-

meter accuracy for optical tooling purposes as well as for river crossings in geodesy. The autocollimation eyepiece converts the N3 into an autocollimation instrument; the laser eyepiece transforms it into a laser level.

The **Wild N3** is an ultramodern precision level. From its predecessor it has inherited its unmatched accuracy – a standard deviation of  $\pm 0.2$  mm for 1 km double run levelling – and its absolute reliability.

#### For colour brochure Wild N3

Send this coupon to your next Wild representative or directly to Wild Heerbrugg Ltd., CH-9435 Heerbrugg, Switzerland.

Name \_\_\_\_\_

Company \_\_\_\_\_

Address \_\_\_\_\_

IVB 9-1

**Wild Heerbrugg Ltd.**  
CH-9435 Heerbrugg, Switzerland

