

Seismic rehabilitation of existing buildings in Romania

Autor(en): **Crainic, Liviu**

Objektyp: **Article**

Zeitschrift: **IABSE reports = Rapports AIPC = IVBH Berichte**

Band (Jahr): **77 (1998)**

PDF erstellt am: **22.07.2024**

Persistenter Link: <https://doi.org/10.5169/seals-58278>

Nutzungsbedingungen

Die ETH-Bibliothek ist Anbieterin der digitalisierten Zeitschriften. Sie besitzt keine Urheberrechte an den Inhalten der Zeitschriften. Die Rechte liegen in der Regel bei den Herausgebern.

Die auf der Plattform e-periodica veröffentlichten Dokumente stehen für nicht-kommerzielle Zwecke in Lehre und Forschung sowie für die private Nutzung frei zur Verfügung. Einzelne Dateien oder Ausdrucke aus diesem Angebot können zusammen mit diesen Nutzungsbedingungen und den korrekten Herkunftsbezeichnungen weitergegeben werden.

Das Veröffentlichen von Bildern in Print- und Online-Publikationen ist nur mit vorheriger Genehmigung der Rechteinhaber erlaubt. Die systematische Speicherung von Teilen des elektronischen Angebots auf anderen Servern bedarf ebenfalls des schriftlichen Einverständnisses der Rechteinhaber.

Haftungsausschluss

Alle Angaben erfolgen ohne Gewähr für Vollständigkeit oder Richtigkeit. Es wird keine Haftung übernommen für Schäden durch die Verwendung von Informationen aus diesem Online-Angebot oder durch das Fehlen von Informationen. Dies gilt auch für Inhalte Dritter, die über dieses Angebot zugänglich sind.

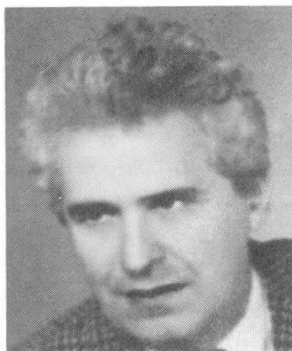


Seismic Rehabilitation of Existing Buildings in Romania

Liviu CRAINIC

Professor

Techn. Univ. of Civil Engineering
Bucharest, Romania



Liviu Crainic, born 1938, received his civil engineering degree from the Technical University of Cluj/Romania (1960) and his PhD in 1974, from Technical University of Construction Bucharest. He is currently professor, head of the Department of R/C Structures of TUCB.

Summary

The preservation of existing buildings in Romania involves accurate *seismic assessment* and implementation of appropriate methods for their *repair/strengthening*. An analytical procedure for assessment of r/c structures is presented herein and its role in seismic behavior investigation and identification of structural system weak components is discussed. Procedures for selecting appropriate upgrading solutions, currently implemented in Romania, are briefly described. Examples illustrate the above considerations.

1. Static Post-Elastic Procedure for Seismic Capacity Evaluation

The present article proposes a *static post-elastic procedure* for determining the seismic shear force capacity. Incremental loading with *imposed displacements*, similar to those generated by seismic action, is considered. Thus, the *structure capacity degradation*, due to progressive elements failure, and *the weak structural components*, are stressed out. This information is turned into relevant input data for selecting the appropriate *rehabilitation solution*.

The following steps define the procedure:

- (i) Determine internal forces in critical sections due to gravity loads $\{S_g\}$ and to seismic equivalent forces $\{S_E\}$.
- (ii) Determine lateral displacements of the structure, due to seismic forces $\{\Delta_E\}$.
- (iii) Calculate the moment capacity of critical sections $\{M_{cap}\}$.
- (iv) For each critical section i determine the coefficient $\gamma_i = M_{E,i} / (M_{cap,i} - M_{g,i})$.
- (v) Select maximum magnitude of γ_i : $\max\{\gamma_i\} = \gamma_j$. In section j a plastic hinge will occur.
- (vi) Determine the horizontal seismic force (basic shear force) $F^{(1)}$, internal forces $\{S_E^{(1)}\}$ and lateral displacements $\{\Delta_E^{(1)}\}$ corresponding to the plastic hinge occurrence:
 $F^{(1)} = F / \gamma_j$; $\{S_E^{(1)}\} = \{S_E\} / \gamma_j$; $\{\Delta_E^{(1)}\} = \{\Delta_E\} / \gamma_j$.
- (vii) Check-up the magnitude of plastic rotation and shear force in critical sections
 - plastic rotation and/or shear force within accepted limits \rightarrow continue
 - excessive plastic rotation and/or shear force \rightarrow member failed \rightarrow delete failed member from structure \rightarrow go to (i) (with new input data, considering the structure *without* the failed member).
- (viii) Determine the stiffness matrix of the structure, considering a plastic hinge in section j
- (ix) Increase lateral displacements with an accepted increment.
- (x) Calculate internal forces corresponding to displacements of step (ix)
- (xi) Go to (iii).

2. Seismic Rehabilitation

The selection of a seismic rehabilitation strategy and decision has to take into account: the potential or existing damage and failure of structural and non-structural components, and other similar factors. Basically, the rehabilitation has to rectify "weakness" at both local and overall scale of the building.

The seismic rehabilitation solutions for reinforced concrete structures, currently implemented in Romania are: (a) *jacketing* of existing elements and (b) *addition of new structural elements*, especially structural walls. The adopted solution depends upon the *diagnosis* resulted from in-situ inspection ("qualitative assessment"), analytical evaluation and cost-benefit analysis.

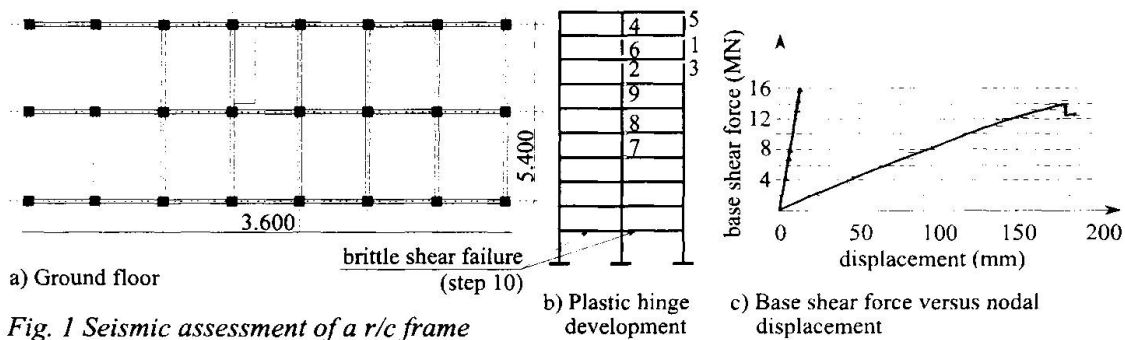


Fig. 1 Seismic assessment of a r/c frame

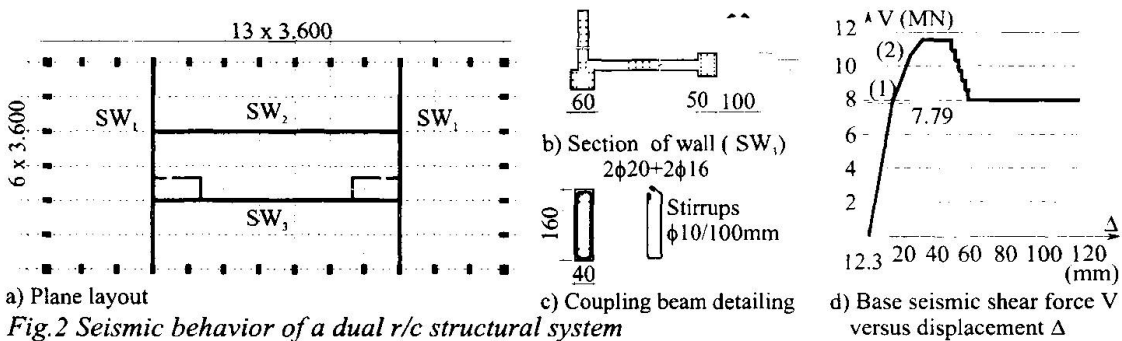


Fig. 2 Seismic behavior of a dual r/c structural system

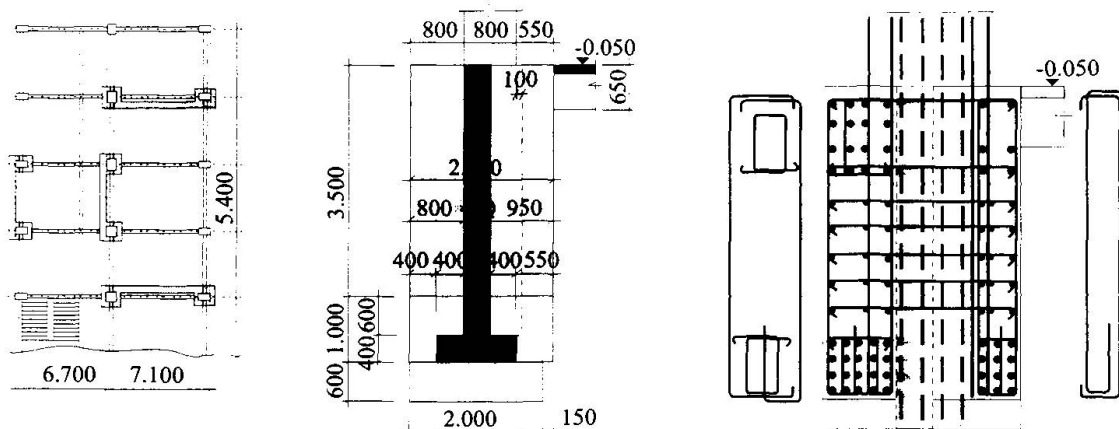


Fig. 5 Foundation system of a newly added structural wall.