

**Zeitschrift:** IABSE reports = Rapports AIPC = IVBH Berichte  
**Band:** 83 (1999)

**Artikel:** Stability studies of water tower's vertical flanges  
**Autor:** Herman, Kresimir / Sigmund, Vladimir / Guljas, Ivica  
**DOI:** <https://doi.org/10.5169/seals-62895>

### **Nutzungsbedingungen**

Die ETH-Bibliothek ist die Anbieterin der digitalisierten Zeitschriften. Sie besitzt keine Urheberrechte an den Zeitschriften und ist nicht verantwortlich für deren Inhalte. Die Rechte liegen in der Regel bei den Herausgebern beziehungsweise den externen Rechteinhabern. [Siehe Rechtliche Hinweise.](#)

### **Conditions d'utilisation**

L'ETH Library est le fournisseur des revues numérisées. Elle ne détient aucun droit d'auteur sur les revues et n'est pas responsable de leur contenu. En règle générale, les droits sont détenus par les éditeurs ou les détenteurs de droits externes. [Voir Informations légales.](#)

### **Terms of use**

The ETH Library is the provider of the digitised journals. It does not own any copyrights to the journals and is not responsible for their content. The rights usually lie with the publishers or the external rights holders. [See Legal notice.](#)

**Download PDF:** 06.10.2024

**ETH-Bibliothek Zürich, E-Periodica, <https://www.e-periodica.ch>**



## Stability Studies of Water Tower's Vertical Flanges

**Kresimir HERMAN**  
Professor  
University of Zagreb  
Zagreb, Croatia

Kresimir Herman, born 1934, received his BCE, M.Sc. and Ph. D. at the University of Zagreb where he teaches Theory of elasticity and Continuum mechanics.

**Vladimir SIGMUND**  
Professor  
University of Osijek  
Osijek, Croatia

Vladimir Sigmund, born 1956, received his BCE and M.Sc. at the University of Zagreb and Ph. D. at the University of Sarajevo. Teaches Continuum mechanics at the University of Osijek.

**Ivica GULJAS**  
Assistant  
University of Osijek  
Osijek, Croatia

Ivica Guljas, born 1966, received his BCE and M.Sc. at the University of Zagreb. He is an assistant professor for Structural stability and dynamics at the University of Osijek.

### Summary:

High reinforced-concrete water towers are commonly used for water storage in the low regions. Water tanks, with big storage capacity, are placed at the top. Middle carrying part has to be stable enough and to secure the overall structural stability. To set the whole area under tank as a carrying element is not economically sound and is ugly from the architectural standpoint. Therefore, thin vertical flanges are radially placed around the central tubular part as buttresses. Designing of such flange-buttress elements is complicated as the problems of their out-of-plane and overall structural stability are coming together.

In order to study this problem simplified model studies of the water tower's middle part. The models were exposed to incrementally increasing vertical loads. Out-of-plane deformations of the flanges were registered and critical buckling forces and forms were determined. Then the sophisticated analytical model of the overall structure has been done. Critical flange's buckling load and buckling forms of the scaled experimental model and that of sophisticated numerical model correlated very well. Model studies gave good sense of the load carrying ability for a full-scale structure. Calibrated numerical models were used to study the influence of various parameters on the flange's and overall structural stability.

**Keywords:** water tower, vertical flanges, and experimental model, buckling analysis, comparison

### 1. Introduction and Conclusion

The flange's out-of-plane stability can determine the overall structural stability. Sometimes these elements are from the architectural reasons made with openings. Their numerical analysis without very sophisticated mathematical models presents a problem. This study was undertaken in order to gain insight in the behavior and stability of the vertical flanges and to distinguish among various parameters that influence that stability.

Typical water tower's structural cross section and dimensions, for a particular case, are presented on Fig. 1. The Model 1 has uniform buttress flanges and Model 2 has the same geometry but its flanges had openings at their upper and lower part. Both models have six radially placed flanges around the middle tubular element.

Experimental analysis is performed on a simplified (quasi 3D) scaled structure with the intention of finding the first critical buckling force and form of a flange in system. Analytical models represented the whole system without simplifications. Their results were compared with the experimental ones. Parameters that contribute to the flange carrying ability are then varied in order to distinguish among them.

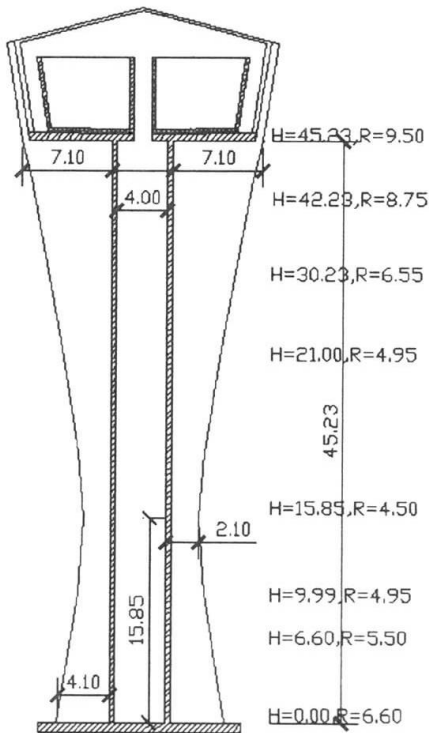


Figure 1 Water tower-Model 1

The experimental tests were done on a simplified model in a scale 1:50. By incrementally applying loads and registering the displacements, critical buckling forces and forms for the models were determined. Critical buckling force in Model 2 was 2 times smaller than that in Model 1. Restraining rotation of the flange's edges

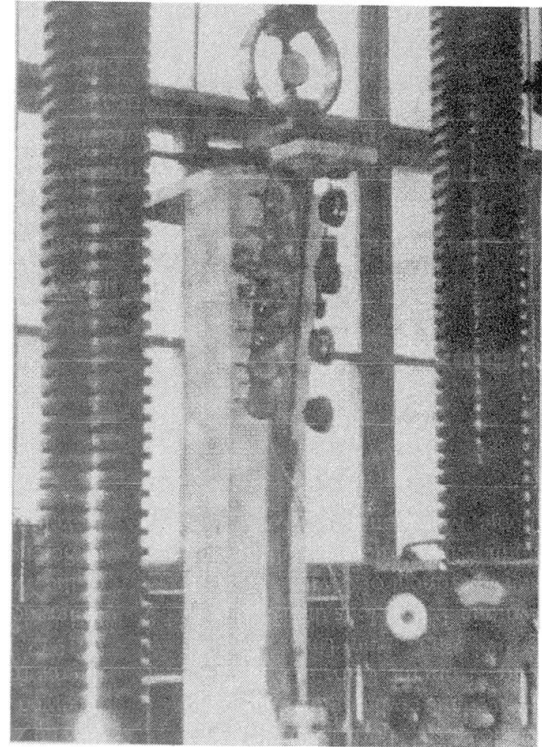


Figure 2 Model test set-up

was found to be very important. Determined forces are directly, through the application of model analysis, applicable to a full-scale structure, and as it turned out represent the lower bound.

The analytical models were sophisticated and represented detailed structural models. Critical buckling forces and forms of the scaled experimental model and that of numerical models correlated very well. The Model 1 has additional reserves due to the spatial distribution of flanges, which was not simulated in the experiment. Spatial distribution of the flanges had significant influence on Model 1 and little influence on the Model 2 structural stability. Model 2 fails locally in the flange-opening region. By implementing openings in the flanges, critical buckling force is reduced several times (up to 3 times) and implementing openings in the flanges minimizes spatial reserves of the system. While simplified plane analysis can be approved for structures with such flanges (Model 2); it gives us only a lower bound for a structure with solid flanges. Structures with solid flanges have much greater stability reserves due to the spatial (3D) structural stiffness distribution.

Calibrated numerical models were used to study the influence of various geometric parameters on the flange's and overall stability. From the limited parametric analysis has been observed that for load carrying ability of the vertical flanges the most important factors are its protruding length outside the central tube and the elements' thickness while flange's height plays a minor role.

Conclusions achieved from the simplified experimental models proved to give us good orientation in dealing with very complicated problems. Such problems are local and global stability analysis of buttress flanges encountered in high water tower tanks. Usage of simple models can obviously serve us as a rule of thumb for complicated numerical analysis or as an additional tool to the simple numerical methods.