

Zeitschrift: The Swiss observer : the journal of the Federation of Swiss Societies in the UK

Herausgeber: Federation of Swiss Societies in the United Kingdom

Band: - (1974)

Heft: 1691

Rubrik: Miscellaneous

Nutzungsbedingungen

Die ETH-Bibliothek ist die Anbieterin der digitalisierten Zeitschriften. Sie besitzt keine Urheberrechte an den Zeitschriften und ist nicht verantwortlich für deren Inhalte. Die Rechte liegen in der Regel bei den Herausgebern beziehungsweise den externen Rechteinhabern. [Siehe Rechtliche Hinweise.](#)

Conditions d'utilisation

L'ETH Library est le fournisseur des revues numérisées. Elle ne détient aucun droit d'auteur sur les revues et n'est pas responsable de leur contenu. En règle générale, les droits sont détenus par les éditeurs ou les détenteurs de droits externes. [Voir Informations légales.](#)

Terms of use

The ETH Library is the provider of the digitised journals. It does not own any copyrights to the journals and is not responsible for their content. The rights usually lie with the publishers or the external rights holders. [See Legal notice.](#)

Download PDF: 30.01.2025

ETH-Bibliothek Zürich, E-Periodica, <https://www.e-periodica.ch>

of Turkish Cantons which would be semi-autonomous states brought together with the Greek section of the island into a federation. At first sight, it really seems that a Swiss federal solution is being proposed. The Shorter Oxford Dictionary clearly indicates that the word "Canton" in its political sense refers to the "sovereign states of the Swiss Confederation", or the subdivision of a French "arrondissement". But the latter meaning can obviously not be the one given in the Turkish proposals.

The Confederation of Swiss Cantons has proved an exemplary political formula in one historic case. It remains to be seen whether such a formula could work in Cyprus. The fact that it would be imposed by brute force doesn't augur too well for its success.

Miscellaneous

An unusual escapade

A ten-year-old child accomplished an unusual feat: taking the wheel of his father's car, he managed to get it started and drove it unimpeded for over ten miles. He climbed up the twisting road from Bex to Gryon (Vaud) and continued up a narrow valley nearly up Sollalex, a well-known hamlet to hikers in the area. This escapade ended shortly before Sollalex as the child missed a bend and

threw his father's car into a ditch, fortunately with no harm to himself. After this adventure, its hero is unlikely to take the wheel of his father's car for a long time.

SWISS RHINE COMPANIES IN PERIL

Swiss shipping companies operating on the Rhine are in dire difficulty and have called for urgent support to the Confederation. Without official aid, they claim that they will not be in business for long. The most important of these companies running some 30 ships, the Swiss Rhine Navigation Company, made a 1.4 million franc loss last year while its traffic remained quite good. There are various reasons for the decline of Rhine navigation. There are too many ships in operation for the available traffic, and the German companies enjoy special facilities from the State denied to their Swiss competitors. The railways which are public, and hence risk-free organisations, also offer stiff competition to fluvial navigation. The Swiss companies say that business could pay only if a ton of freight between Rotterdam and Basle were charged 36 francs. Competition has forced these rates down to 12 francs and these companies have no choice but to accept them. As a result, the number of Swiss-owned ships has fallen by three-quarters to about seventy during the past few years and traffic handled by Basle has never regained its record volume (9.3 million tons) of the early sixties.

Young prisoner killed in an escape

A teenager convicted for theft was shot dead by two policemen after escaping from Bochuz, French-speaking Switzerland's main borstal institution. This tragic outcome produced a wave of criticism in the press because the police are not supposed to use their weapons in tracking down escaped prisoners unless it is in self defence, or when the fugitive is known to be dangerous.

The young man, Patrick M. (the name was not published in full according to Swiss police practice) had escaped from Bochuz in a prison van after hiding in the prison garage. Some miles away, Patrick abandons the van and steals a car. Two policemen on car patrol, who happened to be passing by, recognise him and race after him. Patrick jumps from his car and runs in Sermuz forest, to the north-west of Yverdon. The two policemen continue the chase but Patrick gets hold of a scooter and manages to escape out of sight. Meanwhile, two policemen on ordinary duty, who had noticed a police car following a runaway "motorist" and had decided to join the chase, meet with the other two on the outskirts of the forest. They hold a brief conference and it is decided that the two newcomers, who had previously been informed of the escape, should remain on the spot while the other two call for reinforcement and dogs. They set up a road block on a country road. It is late at night, several hours after the escape. There is a clear sky and a shining moon.

The International Bank for International People.

Lloyds Bank International is strongly established in Western Europe and the Western Hemisphere.

LBI has a wide direct representation in the EEC and Switzerland, and is also the only British bank with a branch network covering virtually the whole of Latin America.

LBI plays an important role in the Eurocurrency market and has arranged


finance for many major projects world wide.

The LBI Group, through its branches, associates and representatives in New York, Nassau, Paris, Frankfurt, Brussels, Amsterdam, and Zürich, has a direct access to principal sources of foreign currencies in all the world's great financial centres.

To these established features should be added LBI's experience and reputation gained in Eastern Europe, Japan, the Middle

East and Australasia, and the Bank's valuable links with Lloyds Bank Limited, one of Britain's "Big four" banks.

The Bank's multi-currency capability, its skill in tailoring the use of funds to meet specific requirements, its spread of branches and representatives throughout the world, all combine to make LBI of essential interest to any business operating across national frontiers.

 **LLOYDS BANK
INTERNATIONAL**
40/66 Queen Victoria St., London EC4P 4EL. Tel 01-248 9822

The LBI Group has offices in: Argentina, Australia, Bahamas, Belgium, Brazil, Cayman Islands, Colombia, Costa Rica, Ecuador, El Salvador, France, Guatemala, Guernsey, Honduras, Hong Kong, Japan, Jersey, Mexico, Netherlands, New Zealand, Nicaragua, Panama, Paraguay, Peru, Portugal, Singapore, Spain, Switzerland, United Kingdom, U.S.A., Uruguay, Venezuela, West Germany.

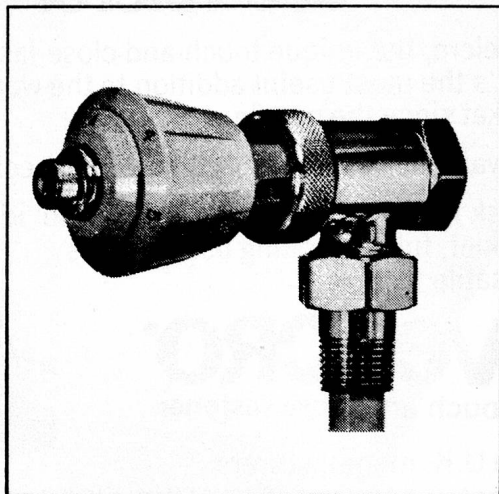
your home your office your factory

Sulzer's international experience solves heating problems in Britain

Sulzer's services range from industrial heating and ventilating contracts to a unique thermostatic radiator valve for use in domestic central heating systems. This valve, which is helping British families to get more economy and comfort from their central heating, is called Temset. Set it to the temperature you want — and from then on it keeps the room at that level of heat. Temset even makes adjustments to compensate for the number of people in the room and changes in the weather.

Sulzer Bros./London/Ltd., Bainbridge House, Bainbridge Street, London WC1A 1HS

SULZER



TEMSET

Suddenly, Patrick appears on the road riding at top speed. He forces the road block improvised with a car parked across the road. The two policemen start shooting. One fires two warning shots and five in the direction of the fugitive, thus emptying his magazine. The second, who fires next at a distance of about 40 metres from the young man, fires three warning shots and four on his target. The young man falls, fatally wounded by a bullet which had entered below the shoulder-blades and sliced through the liver. An autopsy showed that two of the fourteen bullets had touched the young man, and that both had been fired by the second policeman.

SOVIET WRITER EXPELLED IN SWITZERLAND

A leading Soviet writer, Victor Nekrassov, has been allowed to live for two years in Switzerland by the Soviet authorities. His friends fear, however, that he may not be allowed back when this period elapses as the writer, winner of a Stalin Prize for his account of the battle of Stalingrad, has fallen foul of the Soviet establishment by taking a firm stand last March for Alexander Solzhenitsyn, who was expelled earlier this year and now lives with his family in Zurich. Nekrassov, who will be living with relatives in Switzerland, also complained of harassment from the KGB (secret services) in a communiqué handed out to foreign correspondents in Moscow. He was expelled from the Communist Party in 1972 after having been a member for 28 years. He was also expelled from

the Union of film-writers in May and his expulsion from the Union of Soviet writers was generally expected.

TOURISM

Countless Summer and Autumn Holiday-making Possibilities in Canton Vaud

There are numerous ways for holiday-makers to enjoy themselves in the Canton of Vaud. They can go hiking in the Jura, participate in water sports on the smaller and larger lakes, discover historical towns and attractive beauty spots, do summer ski-ing on the 9,000-foot-high glacier of the Diablerets and last but not least, try out gastronomic specialities in the canton's wine-growing regions. For those who don't like organising their trips themselves, there's an 8-day all-inclusive arrangement costing Fr.248 upwards. This includes seven overnight stays with half-board in a tourist class hotel, excursions, visits and folkloric entertainment in the evening. For more information, contact the "Office du tourisme du canton de Vaud", av. de la Gare 10, CH-1200 Lausanne.

Discovering Castles by Steamer on the Lake of Thun

A round trip by steamer on the Lake of *Thun* leads you past no less than four castles. Thun's own immense castle is now an historical museum containing a magnificent knights' hall, a ceramic and

archaeological collection, old furniture and clocks (daily opening hours: 9 a.m.—6 p.m.). The fairy tale castle of *Schadau* in Tudor style is situated in a splendid park. It is known for its exhibition and restaurant, and is open to visitors during the summer months. The 90-foot-high tower of the castle of *Oberhofen* looms up not far away from there. It boasts interiors dating back to various epochs, rustic art exhibits and a park containing many botanical rarities. Opening hours: 10 a.m.—12 p.m. and 2 p.m.—5 p.m. On the opposite side of the lake of Thun is the castle of *Spiez* which lies in a vine-covered slope and dominates the surrounding countryside. Its living quarters and exhibition rooms can be visited from 9.30 a.m.—12 p.m. and from 2 p.m.—6 p.m. A second-class general ticket for lake travel costs Fr.29 for 7 days and Fr.40 for 1st class travel. The day ticket costs respectively Fr.8 and Fr.10 whereas the regional holiday ticket (valid on steamers, postal coaches SFR and mountain railways) costs respectively Fr.64 and Fr.88.

SCIENCE

NEW TUNNEL AT CERN

After "gnawing" for over sixteen months, a huge machine nick-named "The Mole" has completed the 6,910 metre circular tunnel which will accommodate the world's most powerful proton synchrotron at Meyrin, near Geneva. The new 300 billion electron volt



TRAVEL WEEKLY TO AND FROM SWITZERLAND AND ENGLAND

- Providing DOOR TO DOOR SERVICES with vans specially equipped to carry
- Household Removals
 - Exhibition Goods
 - Works of Art
 - Machinery

For full information contact

In Switzerland

KEHRLI + OELER LTD.,
3001 Berne,
Bubenberplatz 9
Tel: 031 22 00 22
Telex: 32414 Kerolch

In England

all Eurovan Members



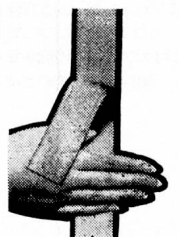
For the practical fastening of practically anything... use Velcro.

Velcro, the unique touch-and-close fastener that's the most useful addition to the work basket since the needle.

Available in $\frac{5}{8}$ " and $\frac{7}{8}$ " widths and 14 colours.

Ask for free sample and our 'Velcro' ideas booklet, full of exciting uses for this versatile fastener.

VELCRO
touch and close fastener



Sole U.K. manufacturers

Selectus Limited, BIDDULPH, Stoke-on-Trent.
Telephone Stoke on Trent 513316 (STD 0782)

Compacrow

*turns wasteful space
into profitable storage*

**Increase your storage capacity
by up to 100%**

Compacrow is the superb Acrow mobile storage system. A system that literally fills your aisles with storage. Storage you can walk through! Compacrow units glide effortlessly at a touch – or a flick of a switch – giving you moveable access!

There is so much that's good about the Compacrow system.

Marvellously versatile, units will house many things. Stationery. Components. Linens. Computer Tapes. Archives. Filing. And offer Protection against fire, dust and theft.

The system can double your storage capacity, halve the storage area, release valuable space for more profitable use and save you rent.

Look at the benefits of Compacrow. With it our engineers could turn your space into effective working storage.

Acrow (Automation) Ltd.,
Moorhall Road, Harefield,
UB9 6PA, Middlesex.
Tel: Harefield 2411 Telex: 22851

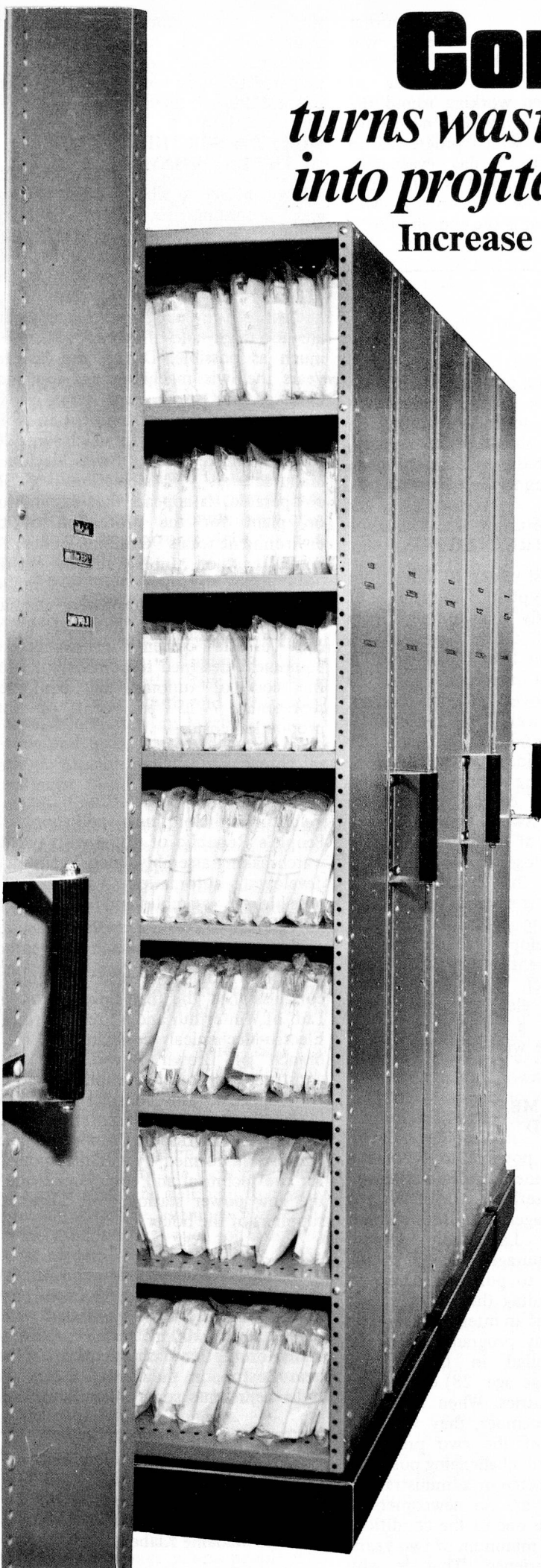
A Division of

ACROW



1972 Awarded to
Acrow (Engineers) Ltd

'PEOPLE WORK WITH ACROW SYSTEMS'



accelerator, which will impel protons with hitherto unattained energies into targets whose recoil and scattering will give new insight into the innermost secrets of matter, is being built at a cost of 1.5 billion Swiss francs by those countries which are members of CERN (Centre Européen de Recherches Nucléaires). They include Britain and Switzerland. The tunnel, which has a diameter of 4.80 metres and is dug 46

metres underground beneath the border between Switzerland and France, was started on 3rd March last year and completed 20 days in advance of schedule. Nine men working round the clock was all the work-force needed to service the "Mole" which progressed an average of 20 metres a day, evacuating rock and laying support struts automatically. The new synchrotron will be operational towards the end of 1976.

students are frequently sponsored by their employers for this course in Lausanne. Students, who must be prepared to study hard, must also be able to speak English fluently.

MILLIONS FOR THE PROTECTION OF THE ENVIRONMENT

Contrary to what is often believed, and according to recent estimates, industry as a whole can be blamed directly for only 8 per cent of the pollution of the soil, 50 per cent of that of water and only 17 per cent of the pollution of the air. Even so these figures are too high and must be reduced as much as possible. During the last few years, the Swiss machinery and appliances industry has spent large sums on the protection of the environment in which we live. From a survey in which some 200 firms belonging to the Swiss Machinery Manufacturers' Association (VSM) co-operated, it appears that expenditure on plant for the protection of the environment totals 96 million francs. The annual cost of running already existing installations amounts to 31 million francs. As far as the Swiss chemical industry is concerned, it spends 11 per cent of its current investments on equipment designed to combat pollution; the cost of running this equipment represents 7-15 per cent of total production costs.

Foreign deals

Ermanno Tech Co. Ltd. of Feldbrunnen (Solothurn) will supply the People's Republic of China with two big watchmaking assembly lines. Their highly developed automation will make it possible to assemble and check nearly 10,000 watches a day.

The People's Republic of China has commissioned the firm Sulzer Bros. Co. Ltd. of Winterthur and a French firm, the Electro-Mechanical Company (CEM), a branch of Brown Boveri & Co. to construct a power station developing 300,000 kWh. The contract was signed in Peking by the representatives of the China National Import Corporation and a consortium formed by CEM, responsible for the technical and commercial side of the new power station, and Sulzer, the suppliers of the boiler.

The "Ateliers de constructions mécaniques de Vevey SA" (Vaud) have received an order for a giant gantry (118 metres radius, 100 metres high, 1,200 ton load) for the naval shipyards at Quincy, near Boston, in the United States. This order represents some 30 million francs.

FIRST CLASS Secretary required (up to age 45) for permanent position in Buying Department of major importers of Swiss Watches - Telephone 01-242 0891 and speak to Madame Klaber.

TECHNICAL ITEMS

RATIONALISATION IN MECHANICAL HANDLING

Previously no mechanical handling device was capable of introducing, by its own means, a heavy, bulky or fragile load into a roofed building. A Swiss firm has just been created at Morges (Vaud) for the manufacture and sale of new patented mechanical handling devices that are capable of transferring any load up to 4.2 tons in one operation from the ground to any place wanted in a building - through the opening in the face of the building corresponding to the storage place desired. The new device comprises a lifting beam, hung from the hook of any crane; by means of its jib, this device is able to introduce loads horizontally into buildings. It is in fact provided either with a counterweight which moves automatically along the jib to restore the balance, or a footstand enabling the load to move horizontally along the jib. Apart from the saving of time and manpower achieved, this new device also possesses the advantage of offering every guarantee of safety, and providing a freedom of movement not known before.

REFUSE + IMAGINATION = BUILDING MATERIALS

The "Environment 72" prize, created by the Swiss branch of the Bank of Paris and the Netherlands to reward the best invention in the field of recycling household or industrial refuse into new objects of obvious utility, was recently awarded to an industrialist at Neuenhof (Aargau, Switzerland). The latter had invented an original process for manufacturing building panels out of the contents of domestic rubbish bins, or trash cans. After being crushed and dried, the refuse is bonded together with glue, before being pressed into sheets of varying thicknesses. The building or facing panels thus obtained have properties in every way comparable with those of traditional products, from the points of view of resistance to pressure and traction, flexibility and rigidity, phonic insulation or resistance to fire. They also possess the advantage of being much more economical. The new process devised by the Swiss contractor has so far made it possible to produce from household refuse - preferably of organic origin (sometimes mixed with wood

shavings) - building panels 2 to 100 mm thick, which have been submitted to various material testing institutes in Switzerland and abroad. The density, strength and flexibility of the panels can be varied, according to their ultimate use.

SWISS AGRONOMIC RESEARCH CENTRE IN EGYPT

At Kaha, just under 20 miles from Cairo, the Egyptian Minister of Agriculture recently inaugurated a new agronomic research centre dependent on the Swiss chemical firm Ciba-Geigy. Of Egypt's 35 million inhabitants, about 20 million are employed growing cotton, rice, corn, wheat or vegetables. Consequently, pesticides, in particular insecticides, fungicides and weed-killers, play a big part in the country's economy. The new research centre will be run jointly by the Swiss firm and the Egyptian Ministry of Agriculture and will remain in very close contact with the universities in the country. The agronomic station is situated in the heart of a cotton-growing region; the chemical preparations developed there will be submitted to extensive laboratory and field tests, which will considerably shorten the time elapsing between the development of a promising active substance and the wide-scale use of the new product.

GETTING ONE'S MBA IN SWITZERLAND

Today it is possible to become a "Master of Business Administration" (MBA) in Switzerland. IMEDE, the well-known Management Development Institute in Lausanne (Vaud, Switzerland), encourages talented young men and women to pursue a career in business, by providing them with a solid basis in the form of an intensive year-long post-graduate study programme. The 30 participants enrolled in the present programme (average age: 28) come from 15 different countries. When they pass their MBA in December, they will, like their colleagues of the two preceding years, be able to fill challenging positions in industry, commerce or administration. IMEDE graduates are no newcomers to business life, since one of the conditions for admission is a minimum of two years' professional experience. That is why